

Heating Hot water Renewables

ecoFIT pure

Combination boiler 25, 30 and 35kW



7
Year
Guarantee

Key features and benefits

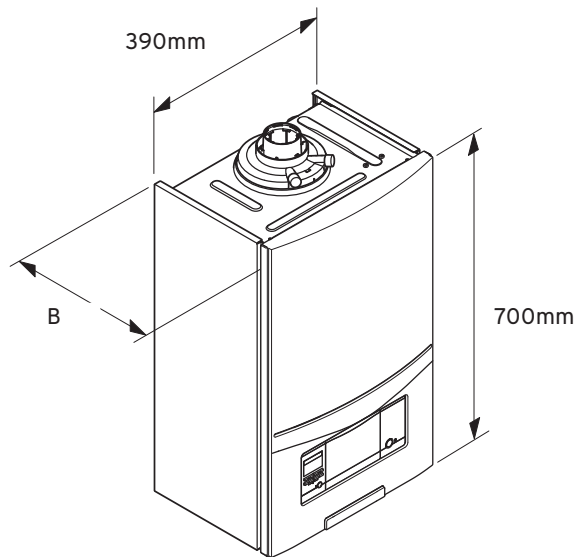
- 7 year guarantee available when registered on Vaillant Advance
- 4-sided cooling and water agitation of the heat exchanger, reducing stress on the heat exchanger for longer life reliability and reduced maintenance costs
- Boiler Plus compliant with Vaillant controls - Install with VRT 350 or VRT 50 + timesWITCH for load compensated system
- Premium quality components including brass diverter valve, ensuring highest reliability and performance
- Wide modulation of up to 1:5 - adapts perfectly to all systems in every situation
- High-specification aluminium heat exchanger, designed for longer life, easier maintenance and reduced energy bills
- Awarded Quiet Mark accreditation - one of quietest boilers in the market, designed for a peaceful home



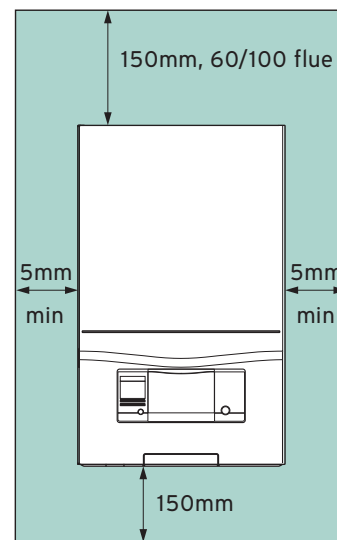
 **Vaillant**

Comfort for your home

Dimensions



Clearances



Model	Dimension B
ecoFIT pure 25, 30 and 35	295

NOTE: all measurements are in mm

Minimum clearances	Unit	ecoFIT pure 25, 30 and 35
Side left and right	mm	5
Top	mm	150
Top (if using rear flue)	mm	20
Below	mm	150
Front	mm	600

Technical data	Unit of measure	ecoFIT pure 25	ecoFIT pure 30	ecoFIT pure 35
General				
Article number		0010020389	0010020390	0010020391
Boiler dimensions (HxWxD)	mm	700 x 390 x 295		
Heating				
Nominal heat output range at 50/30°C (Condensing mode)	kW	5.3 - 19.1	6.3 - 26.5	7.5 - 26.7
Nominal heat output range at 80/60°C (Non condensing mode)	kW	5 - 18.3	6.1 - 25.4	7.2 - 25.6
Maximum flow temperature	°C	80		
Flow temperature range	°C	10 - 80		
Flow temperature factory setting	°C	75		
Approximate condensate volume at 50/30°C	litres/hr	1.84	2.55	2.57
Domestic Hot Water				
Domestic hot water flow rate (at $\Delta t = 35K$)	l/min	10.4	12.2	14.1
Domestic hot water flow rate (at $\Delta t = 42K$)*	l/min	8.2	10.4	12.0
Mechanical				
Boiler lift weight (Dry boiler)	kg	32	33	
Maximum horizontal flue length 60/100	m	10		
Rear flue options	YES/NO	Yes		
Performance				
NO _x (En 15502-2-1)	mg/kWh	38	39	39
ErP efficiency (Heating / DHW)	A, A/A, A+	A / A		
ErP efficiency	%	94		
ErP decibel rating (sound power)	dBa	49	51	52

* Flow restrictor fitted to achieve a $\Delta 42K$ rise

Vaillant Group UK Ltd.
 Nottingham Road, Belper, Derbyshire DE56 1JT
 Telephone 0330 678 0878
www.vaillant.co.uk
info@vaillant.co.uk